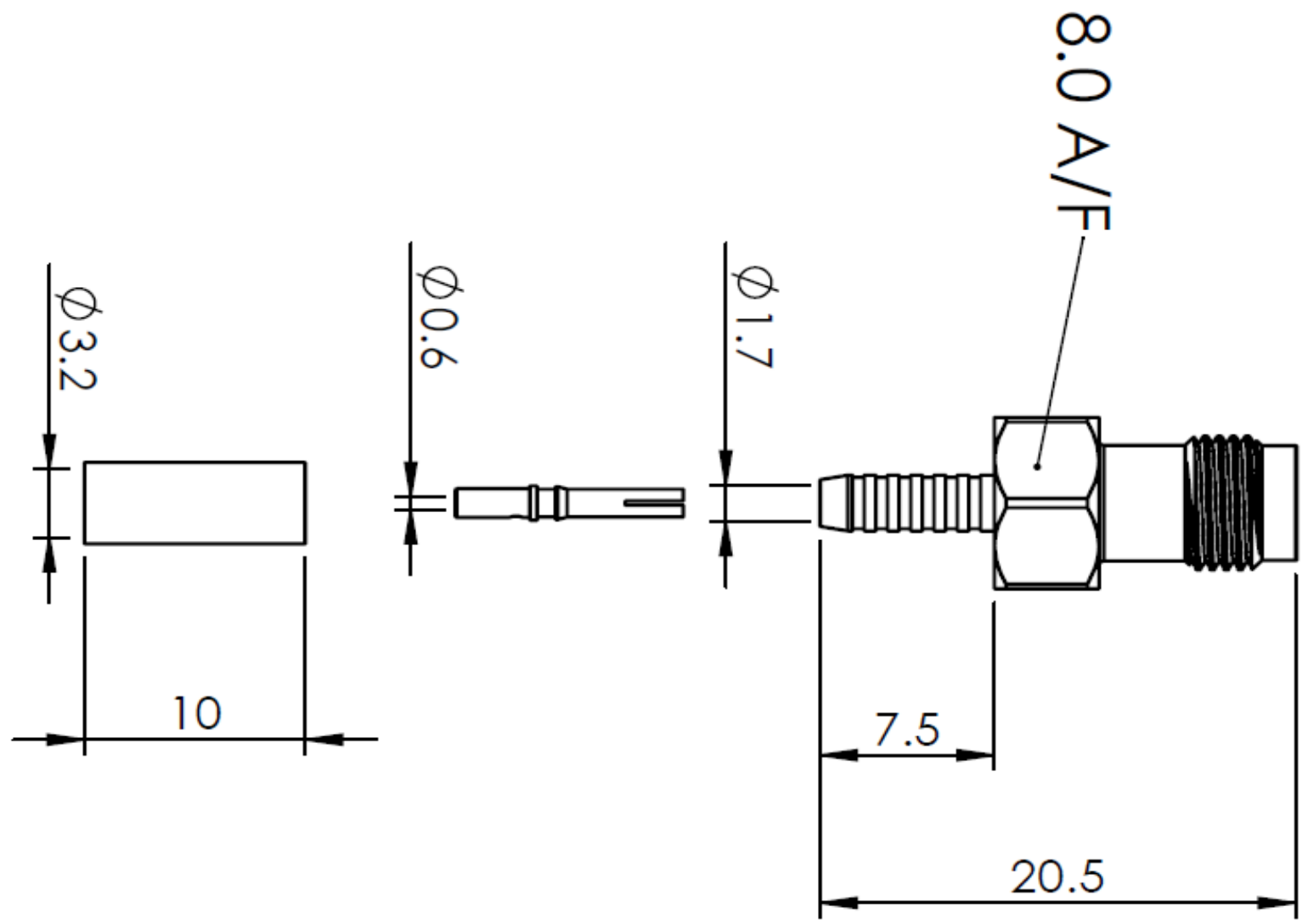


images for illustration purposes only



Part Number: 30-054-D3-AD

