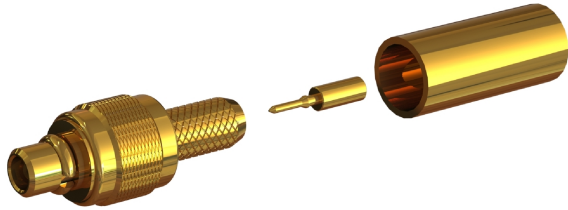
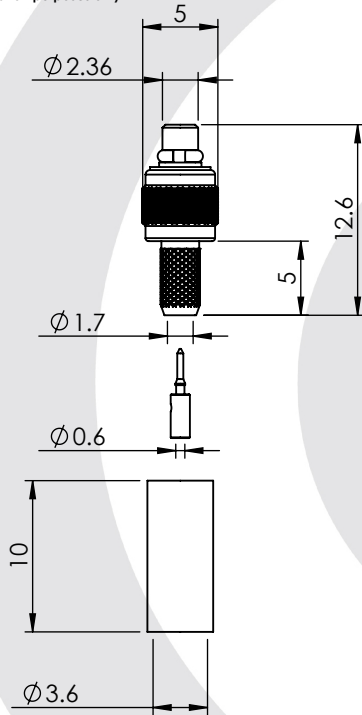


MMCX STRAIGHT CRIMP/CRIMP PLUG 47-005-D3-AE



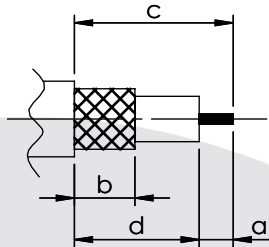
images for illustration purposes only



Suitable for Cables:

(AE) RD316, RD188

Stripping Dimensions



a = 2.5 mm
b = 6.3 mm
c = 9.5 mm
d = 7.0 mm

* CUT FOIL TO DIM. "b"

Assembly Procedure: AP001

Tooling

Centre Contact: SQ 0.95mm A/F Tool No: HTS-43

Crimp Sleeve: HEX 3.84mm A/F Tool No: 336J

Alignment Tool: N/A Extraction: N/A

Environmental Specification

Operating Temp: -55 to +155 Deg C.

IP Rating (Mated): NONE

Electrical Specification Mechanical Specification

Impedance: 50 Ohm

Frequency: 0-6 GHz

Dielectric W/V: 250 Veff

Insulation res: 1000 M-Ohm

Contact Retention: 10 N min

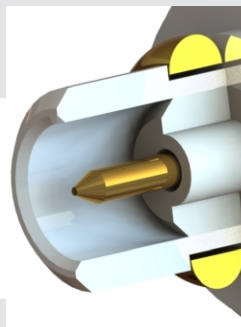
Cable Retention: 60 N min

Mating cycles: 250

Weight: 1.18 g

Connector Interface

image for illustration purposes only



5	RING	BeCu	GOLD
4	CRIMP SLEEVE	BRASS	GOLD
3	INSULATOR	PTFE	N/A
2	CENTRE CONTACT	BeCu	GOLD
1	BODY	BRASS	GOLD
ITEM	DESCRIPTION	MATERIAL	PLATING

A4	SHEET 1 OF 1	DIMENSIONS ARE IN MILLIMETRES		
REVISION :	A01	NAME	SIGNATURE	DATE
ISSUE :	1	DRAWN	IG	20/08/2013
		CHK'D	GE	21/08/2013
		APPV'D		
6-8 COLNE ROAD, TWICKENHAM, MIDDLESEX. TW1 4JR				
THE INFORMATION IS GIVEN AS AN INDICATION ONLY AND IS SUBJECT TO CHANGE WITHOUT NOTICE. IN THE CONTINUAL GOAL TO IMPROVE OUR PRODUCTS, WE RESERVE THE RIGHT TO MAKE ANY MODIFICATIONS NECESSARY WITHOUT PRIOR NOTICE.				