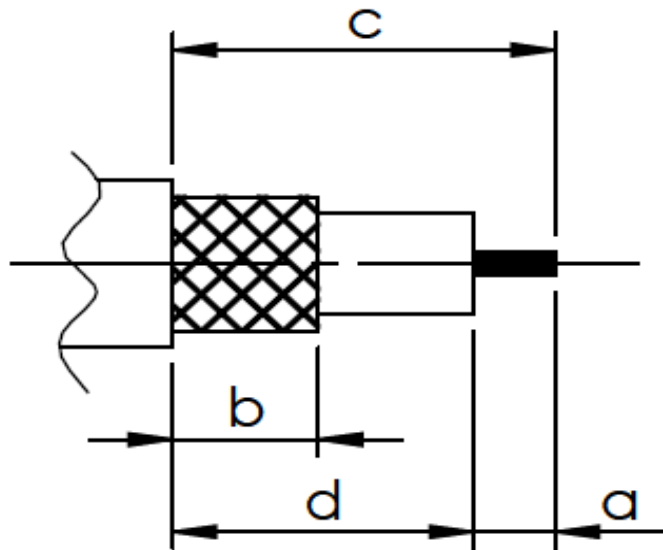


# COAX

## Stripping Dimensions



a = 1.5 mm

b = 6.0 mm

c = 8.5 mm

d = 7.0 mm

\* CUT FOIL TO DIM. "b"