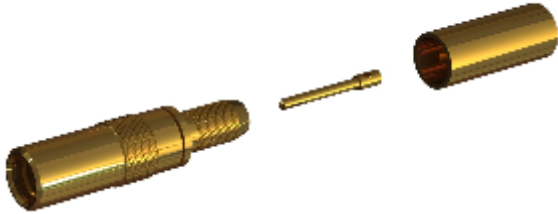
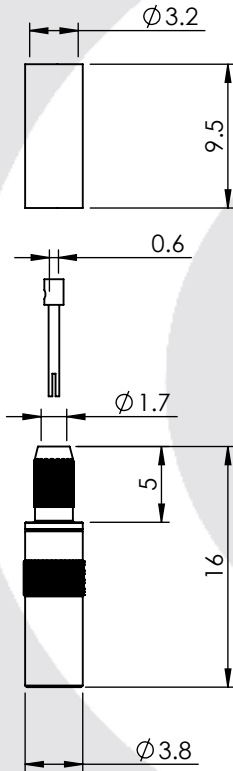


MMCX STRAIGHT CRIMP/CRIMP JACK 47-054-D3-AD



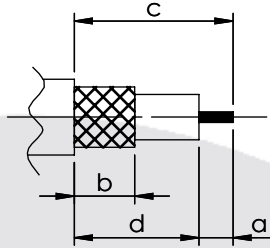
images for illustration purposes only



Suitable for Cables:

(AD)
RG316, RG174, RG188, LMR100, WBC00, URM95, KX3, KX22

Stripping Dimensions



a = 1.5 mm
b = 6.0 mm
c = 8.5 mm
d = 7.0 mm

* CUT FOIL TO DIM. "b"

Assembly Procedure: AP019

Tooling

Centre Contact: SQ 0.95mm A/F Tool No: HTS-43

Crimp Sleeve: Hex 3.25mm A/F Tool No: HTS-43

Alignment Tool: N/A Extraction: N/A

Environmental Specification

Operating Temp: -55 to +155 Deg C.

IP Rating (Mated): NONE

Electrical Specification Mechanical Specification

Impedance: 50 Ohm

Contact Retention: CABLE DEPENDANT

Frequency: 0-6 GHz

Cable Retention: 60 N min

Dielectric W/V: 250 Veff

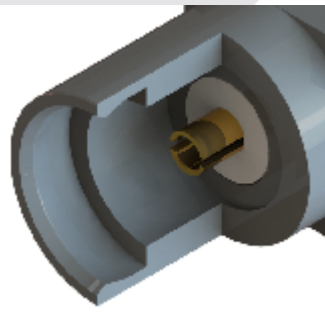
Mating cycles: 250

Insulation res: 1000 M-Ohm

Weight: 1.08 g

Connector Interface

image for illustration purposes only



5	REAR BODY	BRASS	GOLD
4	CRIMP SLEEVE	BRASS	GOLD
3	INSULATOR	PTFE	N/A
2	CENTRE CONTACT	BeCu	GOLD
1	BODY	BRASS	GOLD
ITEM	DESCRIPTION	MATERIAL	PLATING

A4	SHEET 1 OF 1	DIMENSIONS ARE IN MILLIMETRES				
REVISION :	A00		NAME	SIGNATURE	DATE	
DRAWN :	IG				27/08/2013	
ISSUE :	0		CHK'D	GE		28/08/2013
			APPV'D			
<p>6-8 COLNE ROAD, TWICKENHAM, MIDDLESEX. TW1 4JR</p> <p>THE INFORMATION IS GIVEN AS AN INDICATION ONLY AND IS SUBJECT TO CHANGE WITHOUT NOTICE. IN THE CONTINUAL GOAL TO IMPROVE OUR PRODUCTS, WE RESERVE THE RIGHT TO MAKE ANY MODIFICATIONS NECESSARY WITHOUT PRIOR NOTICE.</p>						