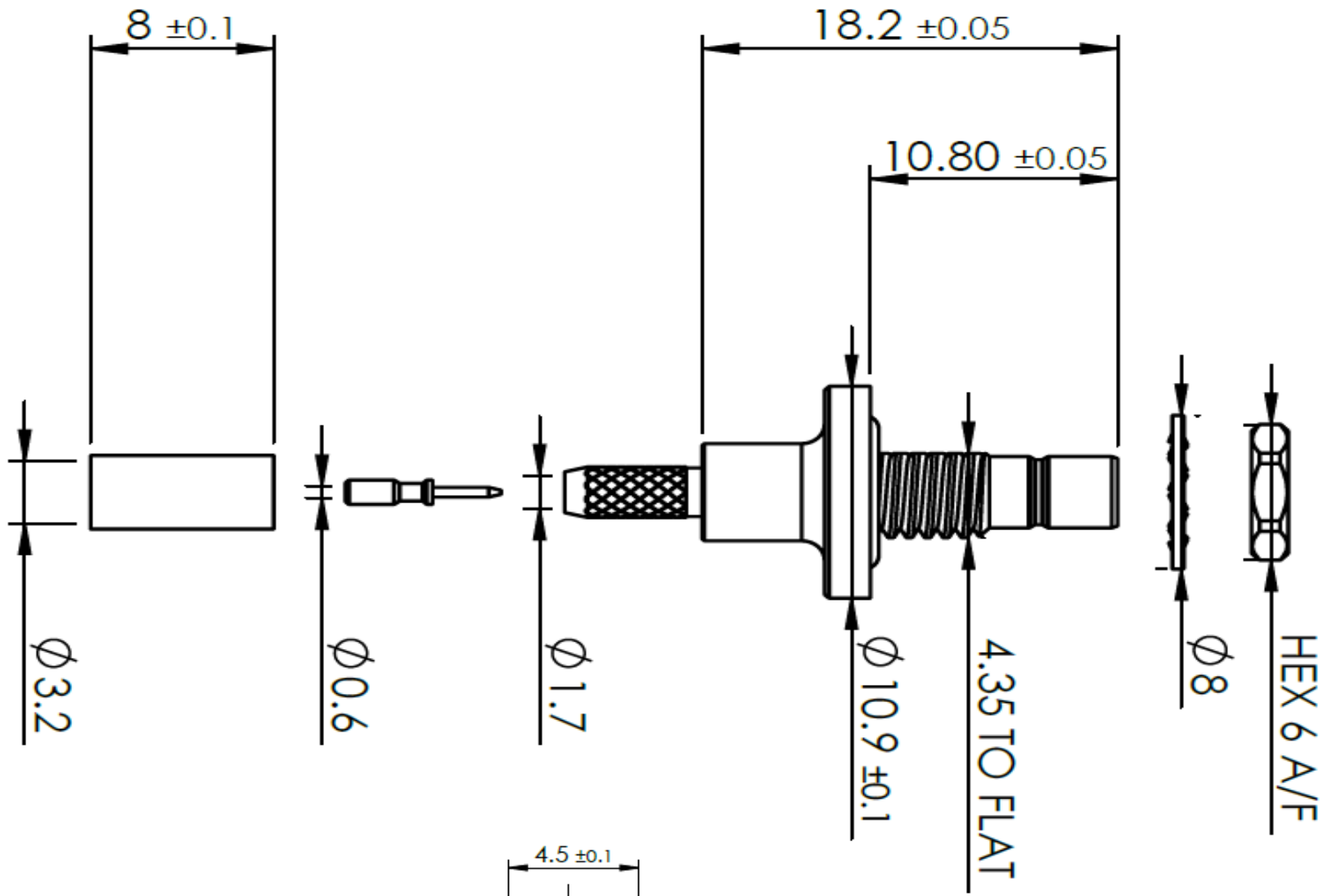


Images for illustration purposes only



**Mounting Details**  
Max Panel: 2.60mm

Part Number: 32-290-D10-AD

**COAX**  
CONNECTORS LTD