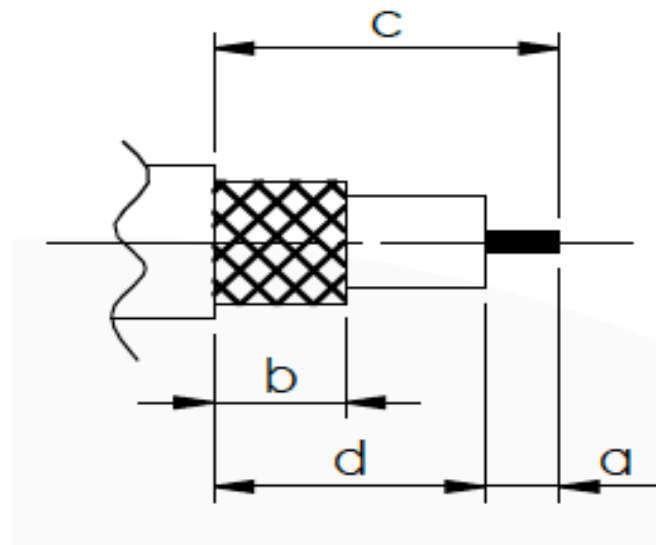


Stripping Dimensions



a = 3.0 mm

b = 6.5 mm

c = 11.5 mm

d = 8.5 mm

* CUT FOIL TO DIM. "b"

Part Number: 32-290-D10

COAX
CONNECTORS LTD