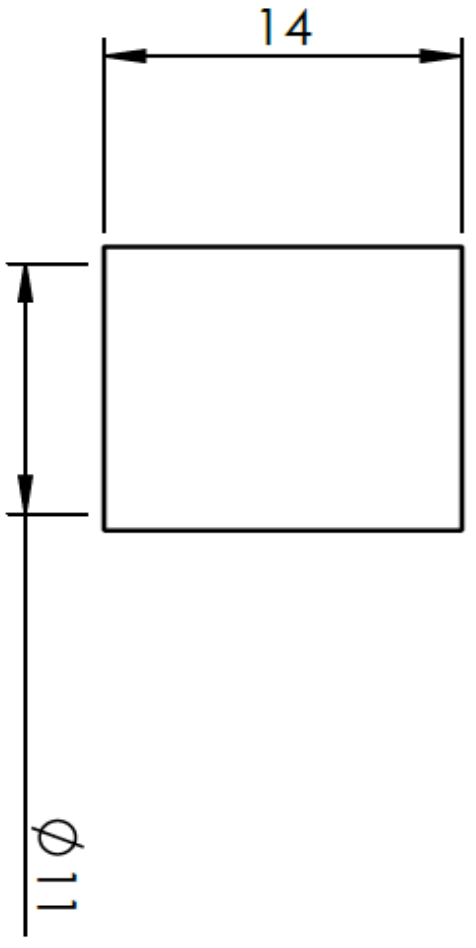
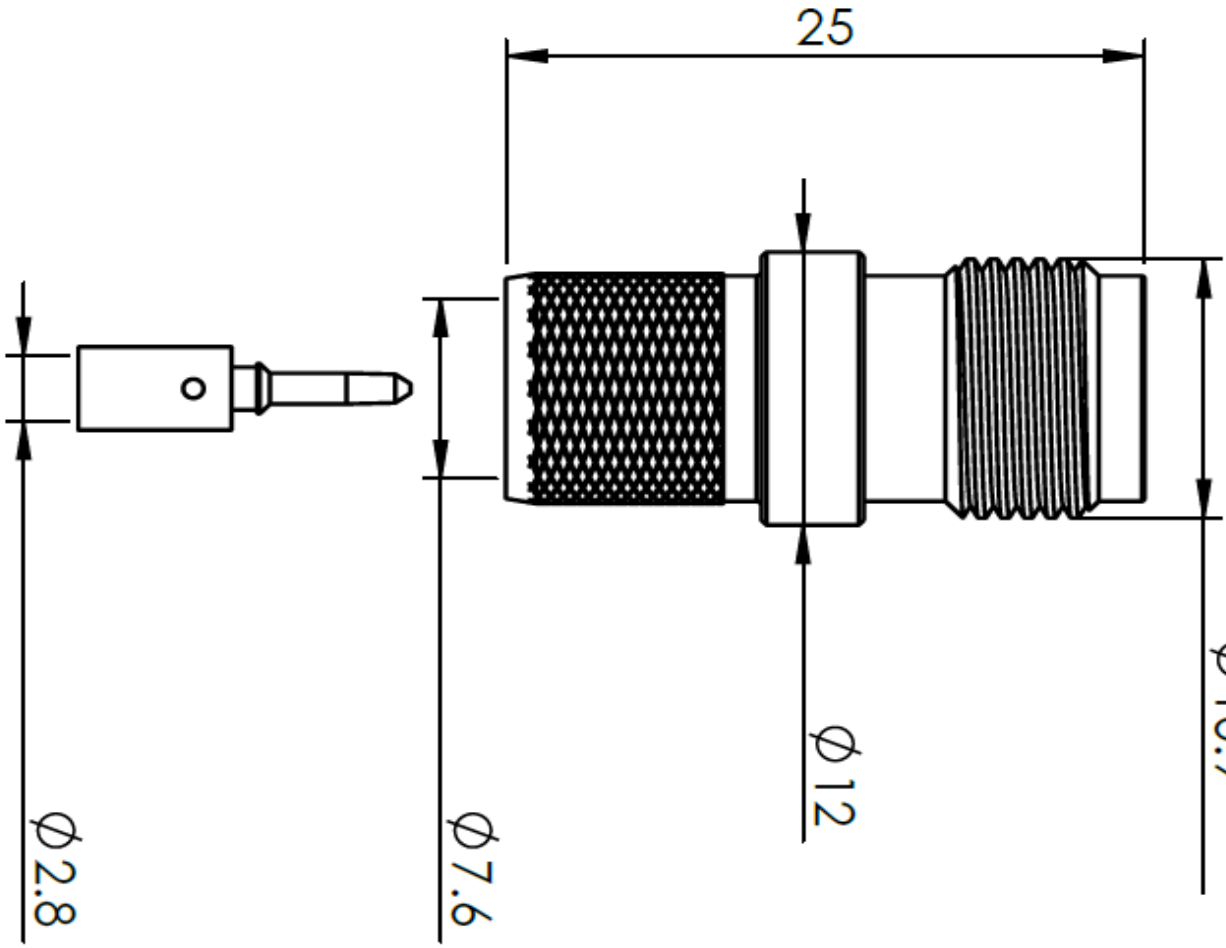


Images for illustration purposes only

7-16" 28UNEF 2A  
 $\phi 10.9$



Part Number: 14-054-B3-DE