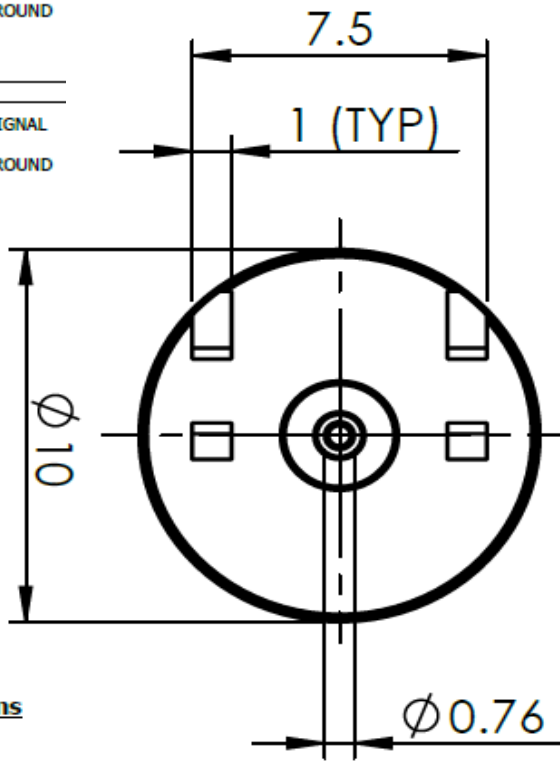
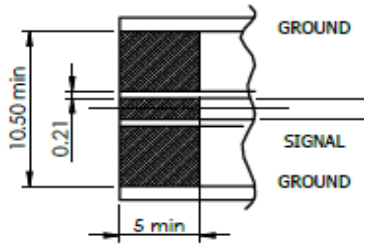


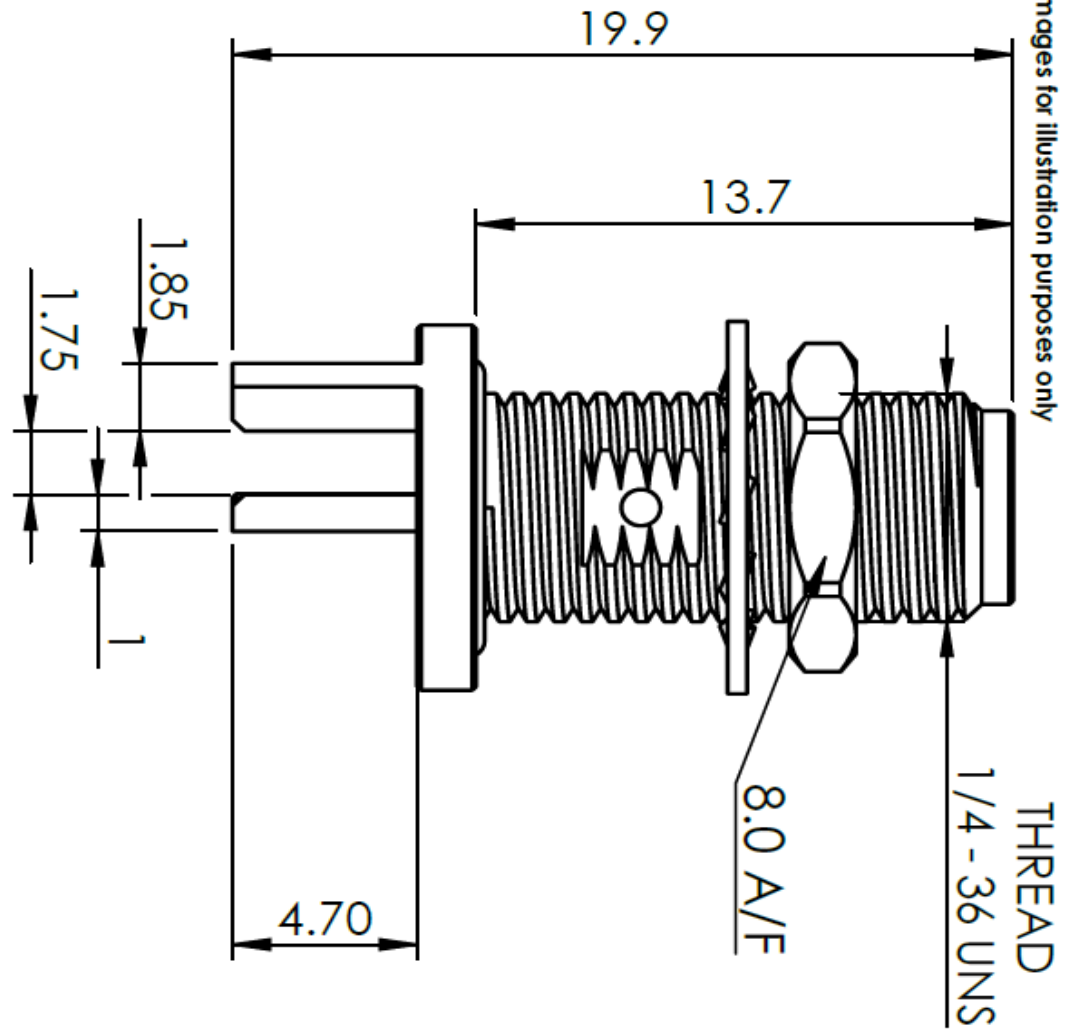
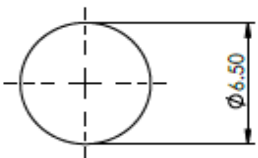
images for illustration purposes only

**PCB Layout Dimensions**



**Panel Cutout Dimensions**

MAX. PANEL THICKNESS = 5.0 mm



images for illustration purposes only

Part Number: 30-462-25-D3-1.6

**COAX**  
CONNECTORS LTD