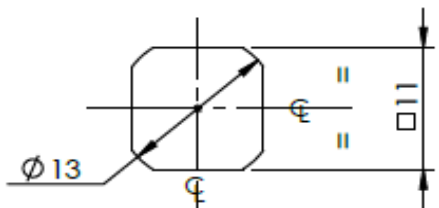
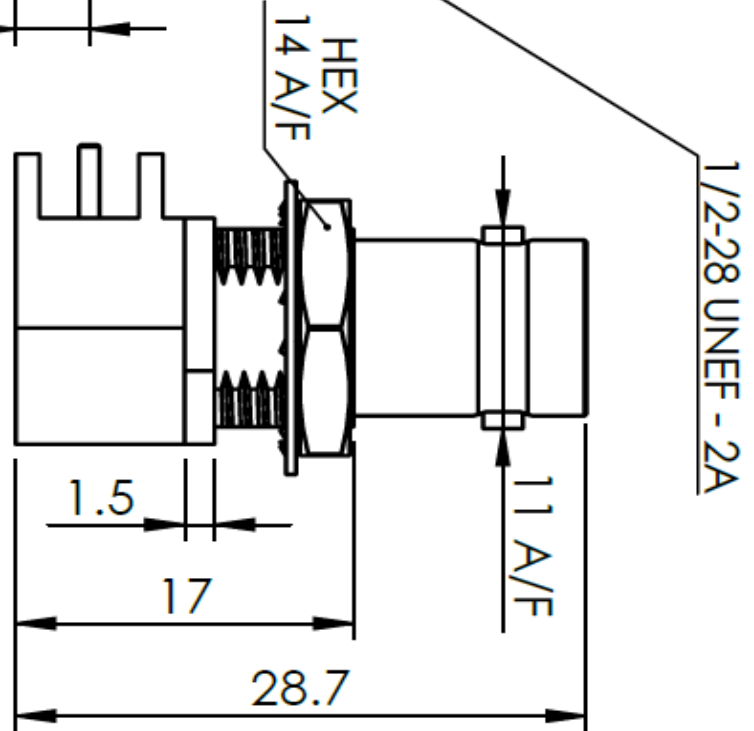
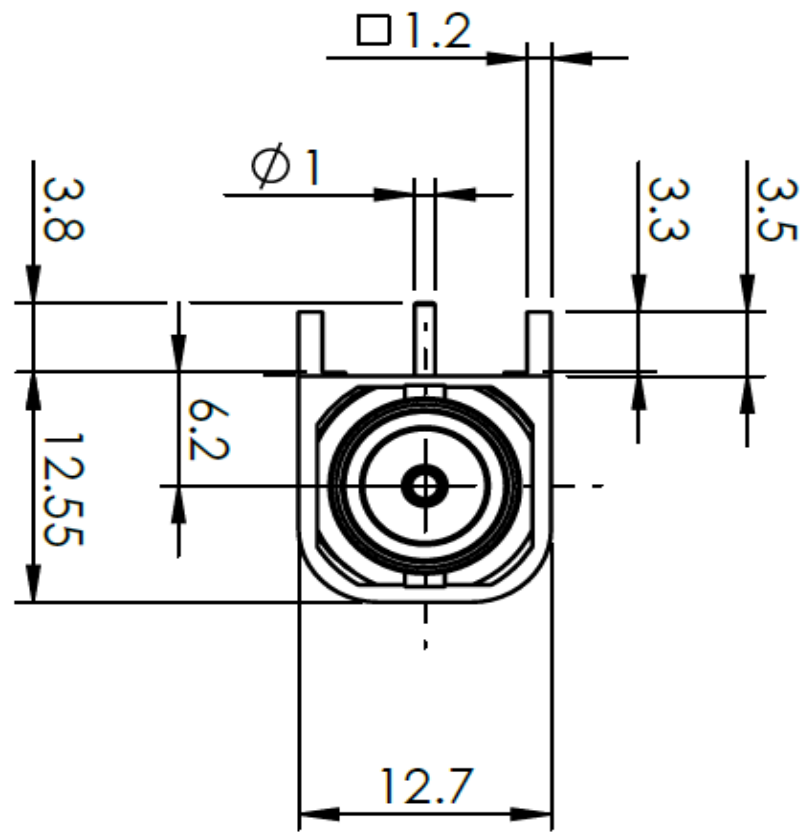


Recommended Hole Layout



Recommended Panel Cutout

images for illustration purposes only
 Part Number: 10-470-B36

