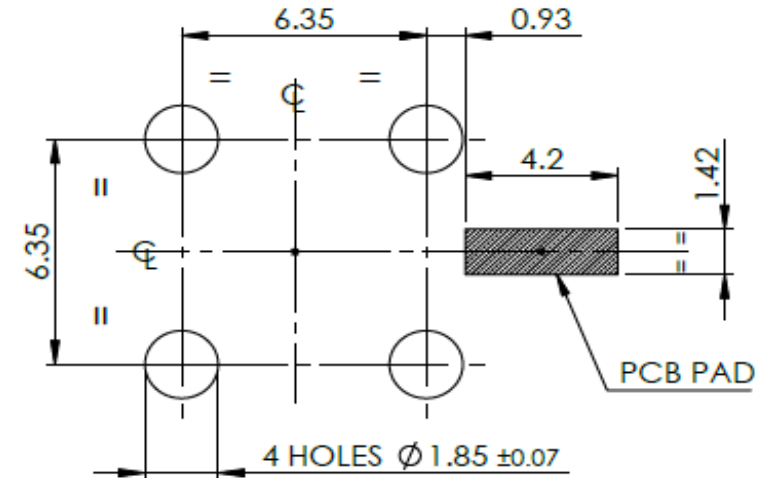
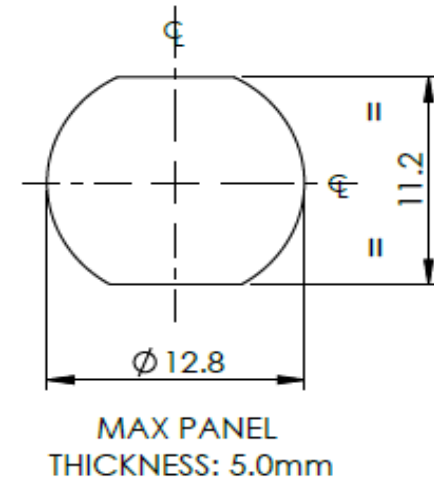


Recommended PCB Mounting



Recommended Panel



images for illustration purposes only

Part Number: 10-462-1-B36

COAX
CONNECTORS LTD