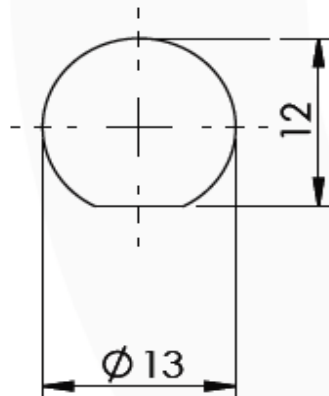


**Recommended
Mounting
Hole**



images for illustration purposes only

Part Number: 14-256-A3-AD