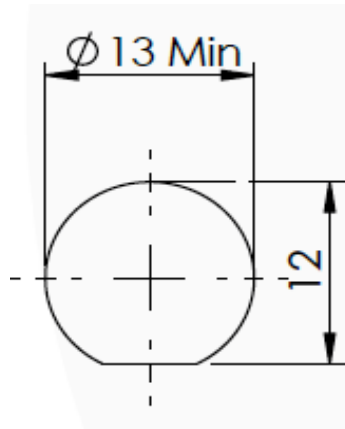


**Recommended
Mounting
Hole**



images for illustration purposes only

Part Number: 10-258-D126-FC

COAX
CONNECTORS LTD