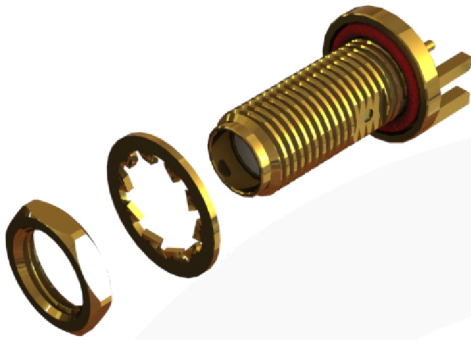
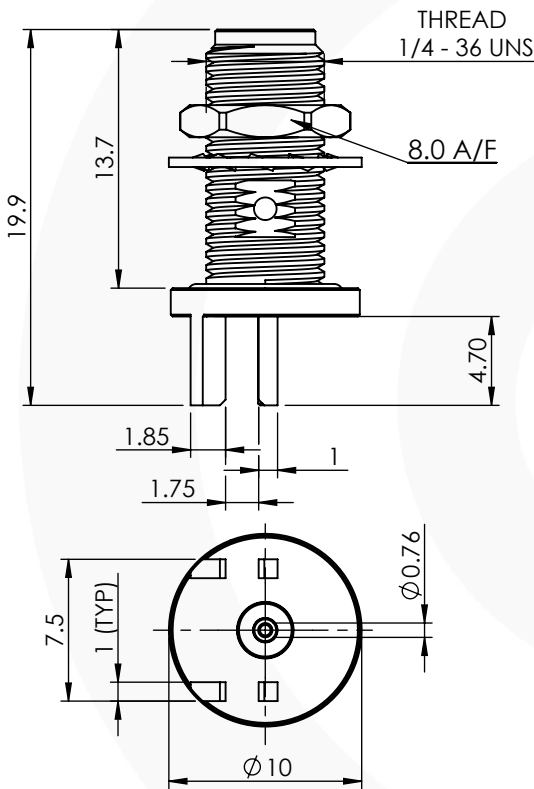


## SMA END LAUNCH IP68 BULKHEAD JACK 30-462-2-D3-1.6



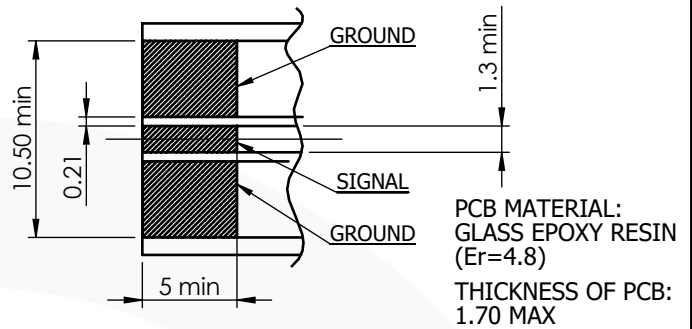
images for illustration purposes only



### Suitable for Cables:

Not Applicable

### PCB Layout Dimensions



### Environmental Specification

Operating Temp: -40 to +155 Deg C.

IP Rating (Unmated): IP 68 - 2 Hrs @ 1m

### Electrical Specification

Impedance: 50 Ohm

Frequency: 0-12 GHz

Dielectric W/V: 750 Veff

Insulation res: 5000 M-Ohm

### Mechanical Specification

Contact Retention: 18 N min

Cable Retention: Not Applicable

Mating cycles: 500

Weight: 3.66 g

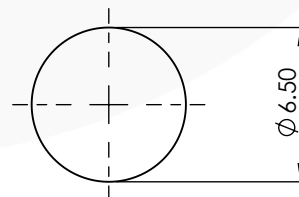
### Connector Interface

image for illustration purposes only



### Panel Cutout Dimensions

MAX. PANEL THICKNESS = 5.0 mm



6	SEAL	EPOXY	N/A
5	WASHER	BERYLLIUM COPPER	GOLD
4	NUT	BRASS	GOLD
3	INSULATOR	PTFE	N/A
2	CENTRE CONTACT	BERYLLIUM COPPER	GOLD
1	BODY	BRASS	GOLD
ITEM	DESCRIPTION	MATERIAL	PLATING

<b>A4</b>	SHEET 1 OF 1	DIMENSIONS ARE IN MILLIMETRES		
REVISION :	A02	NAME	SIGNATURE	DATE
ISSUE :	1	DRAWN	G.E.	29/04/2016
		CHK'D	I.G.	29/04/2016
		APPV'D		
6-8 COLNE ROAD, TWICKENHAM, MIDDLESEX. TW1 4JR				
THE INFORMATION IS GIVEN AS AN INDICATION ONLY AND IS SUBJECT TO CHANGE WITHOUT NOTICE. IN THE CONTINUAL GOAL TO IMPROVE OUR PRODUCTS, WE RESERVE THE RIGHT TO MAKE ANY MODIFICATIONS NECESSARY WITHOUT PRIOR NOTICE.				