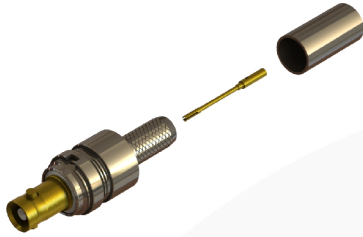
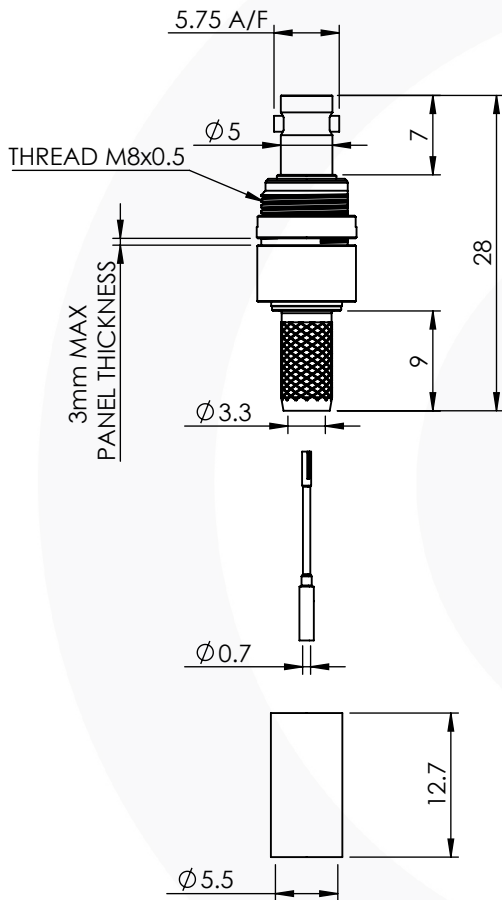


MICRO BNC 12G REAR MOUNT INSULATED BULKHEAD CRIMP/CRIMP JACK 67-258-D126-FA



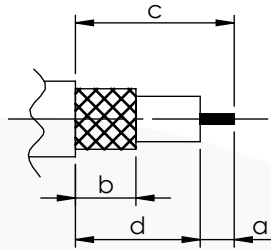
images for illustration purposes only



Suitable for Cables:

(FA) Belden 1855ENH, Draka 0.6/2.8AF, Bryant BD SD01, Image 360, Percon VK5, Conducfil 9890

Stripping Dimensions



- a = 4.0 mm
- b = 8.0 mm
- c = 16.0 mm
- d = 12.0 mm

* CUT FOIL TO DIM. "b"

Assembly Procedure: AP001

Tooling

Centre Contact: Indent or SQ 0.95mm A/F Tool No:96-HTS-75A

Crimp Sleeve: Hex 5.41mm A/F Tool No:96-HTS-75A

Environmental Specification

Operating Temp: -55 to +155 Deg C.

IP Rating (Mated): IP 64

Electrical Specification Mechanical Specification

Impedance: 75 Ohm

Contact Retention: 10 N min

Frequency: 0-12 GHz

Cable Retention: 150 N min

Dielectric W/V: 1000 Veff

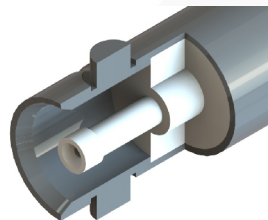
Mating cycles: 500

Insulation res: 10000 M-Ohm

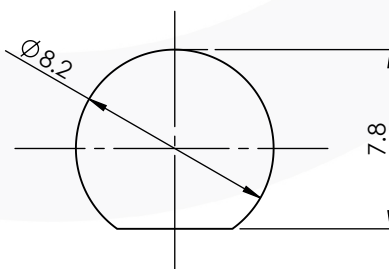
Weight: 5.29 g

Connector Interface

image for illustration purposes only



Recommended Mounting:



5	CRIMP SLEEVE	BRASS	NICKEL
4	INSULATOR	PTFE	N/A
3	CENTRE CONTACT	BERYLLIUM COPPER	GOLD
2	REAR BODY	BRASS	NICKEL
1	BODY	BRASS	GOLD
ITEM	DESCRIPTION	MATERIAL	PLATING

A4 SHEET 1 OF 1		DIMENSIONS ARE IN MILLIMETRES		
REVISION :	A02	NAME	SIGNATURE	DATE
ISSUE :	1	DRAWN	IG	30/04/2019
		CHK'D	GE	01/05/2019
		APPV'D		
6-8 COLNE ROAD, TWICKENHAM, MIDDLESEX. TW1 4JR				
THE INFORMATION IS GIVEN AS AN INDICATION ONLY AND IS SUBJECT TO CHANGE WITHOUT NOTICE. IN THE CONTINUAL GOAL TO IMPROVE OUR PRODUCTS, WE RESERVE THE RIGHT TO MAKE ANY MODIFICATIONS NECESSARY WITHOUT PRIOR NOTICE.				