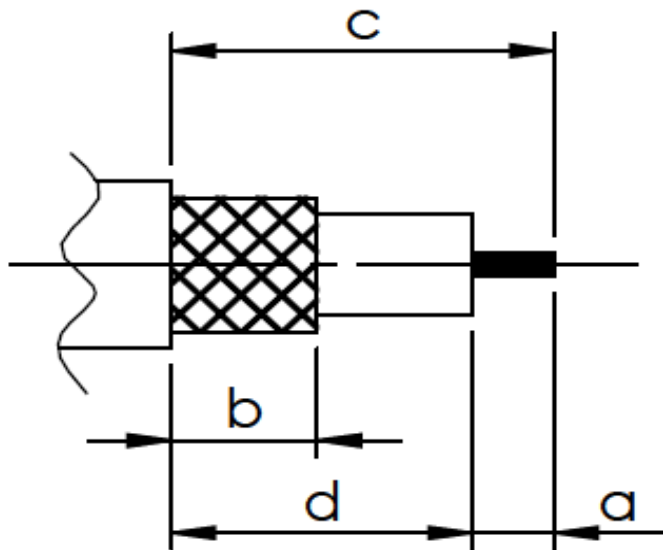


COAX

Stripping Dimensions



$$a = 2.0 \text{ mm}$$

$$b = 7.0 \text{ mm}$$

$$c = 13.0 \text{ mm}$$

$$d = 11.0 \text{ mm}$$

