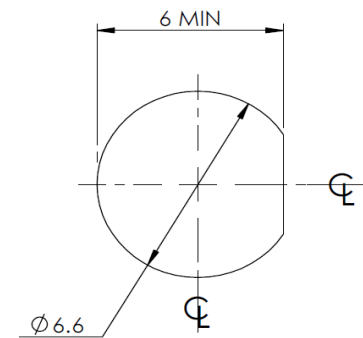


RECOMMENDED MOUNTING HOLE:



RECOMMENDED TORQUE FOR PANEL NUT: 150 N.cm

MAXIMUM PANEL THICKNESS: 6mm