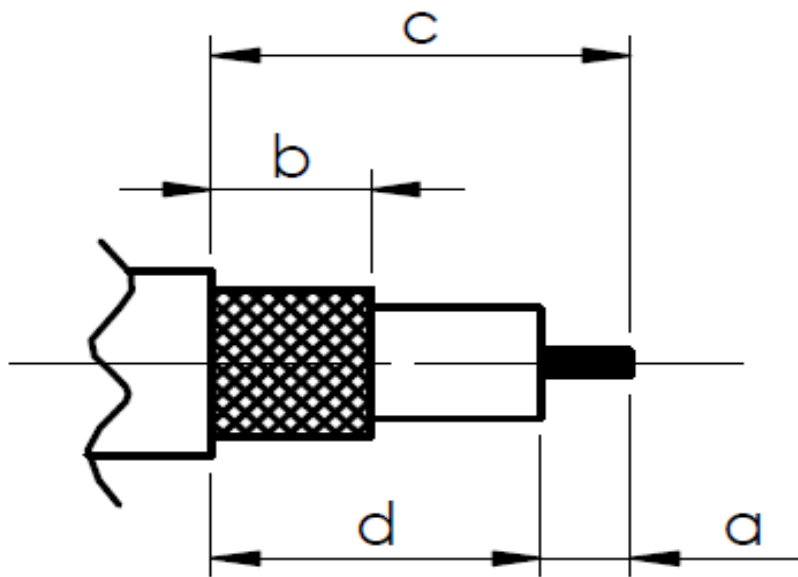


## STRIPPING DIMENSIONS



$a = 5.0 \text{ mm}$

$b = 10.0 \text{ mm}$  \* INCLUDING FOIL

$c = 18.0 \text{ mm}$

$d = 13.0 \text{ mm}$