

© 2008. THIS DOCUMENT IS THE PROPERTY OF COAX CONNECTORS LTD.. REPRODUCTION OR COMMUNICATION IN ANY FORM TO A THIRD PARTY IS PROHIBITED WITHOUT PRIOR WRITTEN CONSENT

WEBSITE VIDEO No.

Electrical Specification

Impedance: 50 Ohm
 Frequency: DC - 1GHz
 Dielectric W/V: TBC
 Insulation res: TBC

Mechanical Specification

Centre contact retention
 Axial Force: TBC
 Cable Retention: N/A
 Mating cycles: 500

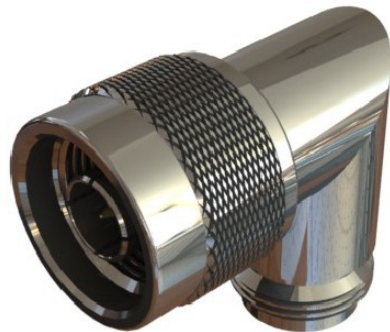
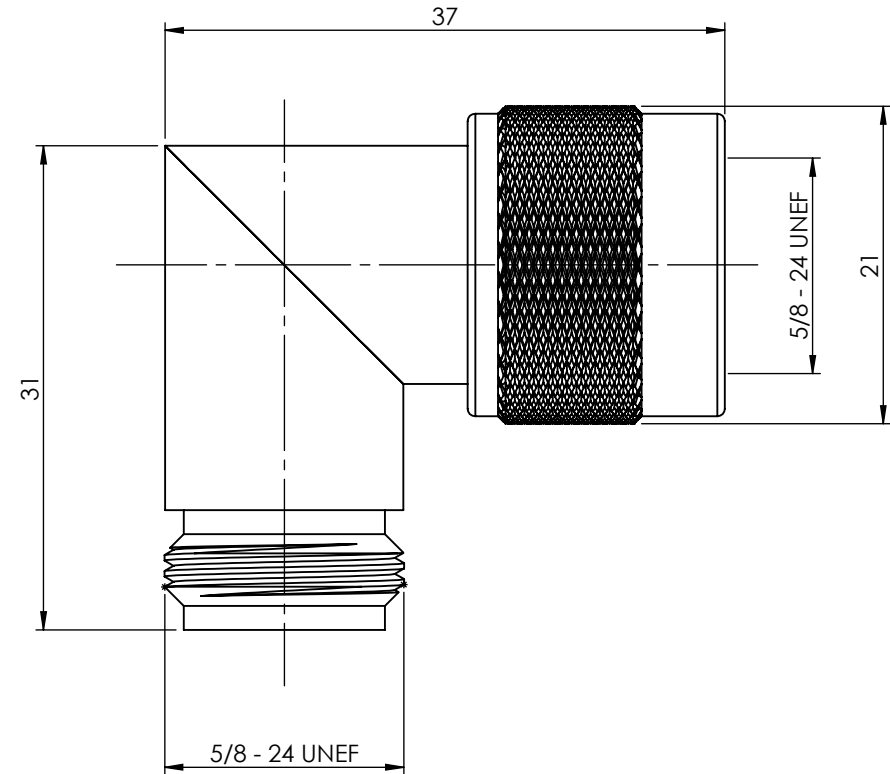
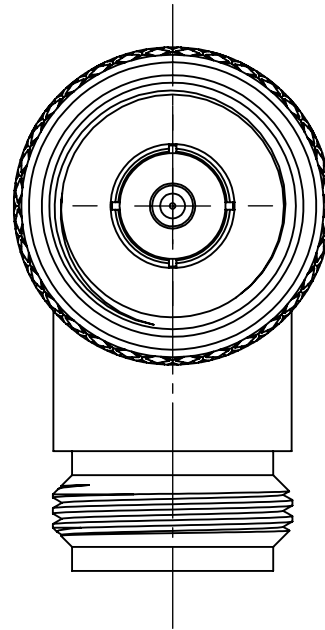
Environmental Specification

Operating Temp: -45 to +155 Deg C

Tooling

Centre Contact: N/A
 COAX Tool No: N/A
 Crimp Sleeve: N/A
 COAX Tool No: N/A

DO NOT SCALE DRAWING



10	RETAINER	BRASS	NICKEL
9	GASKRET	SILICONE	NICKEL
8	COUPLING NUT	BRASS	NICKEL
7	RETAINIG RING	PHOSPHOR BRONZE	N/A
6	INSULATOR	PTFE	N/A
5	CENTRE CONTACT	PHOSPHOR BRONZE	GOLD
4	INSULATOR	PTFE	N/A
3	CENTRE CONTACT	BRASS	GOLD
2	BODY	BRASS	NICKEL
1	BODY	BRASS	NICKEL
ITEM	DESCRIPTION	MATERIAL	PLATING

6-8 COLNE ROAD
 TWICKENHAM
 MIDDLESEX.
 TW1 4JR
 UNITED KINGDOM



REVISION : A00

ISSUE : 2

A4

DIMENSIONS ARE IN MILLIMETERS

	NAME	SIGNATURE	DATE
DRAWN	GE		22/01/2010
CHK'D	DC		22/01/2010
APPV'D			

THE INFORMATION IS GIVEN AS AN INDICATION ONLY AND IS SUBJECT TO CHANGE WITHOUT NOTICE. IN THE CONTINUAL GOAL TO IMPROVE OUR PRODUCTS, WE RESERVE THE RIGHT TO MAKE ANY MODIFICATIONS NECESSARY WITHOUT PRIOR NOTICE.

Description	N TYPE R/A MALE-FEMALE ADAPTOR
Part Number	25-520-B3