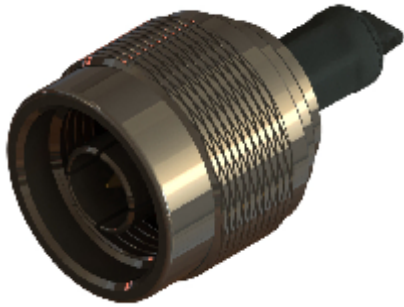
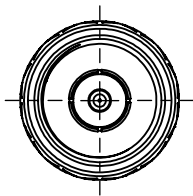
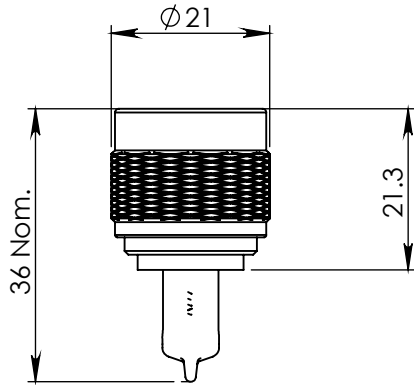


N TYPE STRAIGHT SHORTING CAP 25-859-Z



images for illustration purposes only



Environmental Specification

Operating Temp: -10 to +75 Deg C.
IP Rating (Mated): IP 65

Electrical Specification

Impedance: 50 Ohm
Frequency: 0-11 GHz
Dielectric W/V: Not Applicable
Insulation res: Not Applicable

Mechanical Specification

Contact Retention: 27 N min
Cable Retention: Not Applicable
Mating cycles: 250
Weight: 38.05 g

Connector Interface

image for illustration purposes only



11	HEATSHRINK	POLYOLEFIN	N/A
10	INSULATOR	POLYETHYLENE	N/A
9	CENTRE CONDUCTOR	COPPER	N/A
8	CRIMP SLEEVE	BRASS	NICKEL
7	REAR BODY	BRASS	NICKEL
6	CENTRE CONTACT	BRASS	GOLD
5	BODY	BRASS	NICKEL
4	INNER RETAINING RING	PHOSPHOR BRONZE	NICKEL
3	GASKET	SILICONE	N/A
2	INSULATOR	PTFE	N/A
1	COUPLING NUT	BRASS	NICKEL
ITEM	DESCRIPTION	MATERIAL	PLATING

A4	SHEET 1 OF 1		DIMENSIONS ARE IN MILLIMETRES		
REVISION :	A00		NAME	SIGNATURE	DATE
ISSUE :	1		DRAWN	GE	20/03/2013
			CHK'D	IG	20/03/2013
			APPV'D		

THE INFORMATION IS GIVEN AS AN INDICATION ONLY AND IS SUBJECT TO CHANGE WITHOUT NOTICE. IN THE CONTINUAL GOAL TO IMPROVE OUR PRODUCTS, WE RESERVE THE RIGHT TO MAKE ANY MODIFICATIONS NECESSARY WITHOUT PRIOR NOTICE.

6-8 COLNE ROAD,
TWICKENHAM,
MIDDLESEX.
TW1 4JR

THE INFORMATION IS GIVEN AS AN INDICATION ONLY AND IS SUBJECT TO CHANGE WITHOUT NOTICE. IN THE CONTINUAL GOAL TO IMPROVE OUR PRODUCTS, WE RESERVE THE RIGHT TO MAKE ANY MODIFICATIONS NECESSARY WITHOUT PRIOR NOTICE.