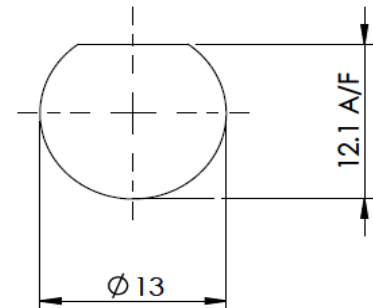


Recommended Mounting Hole



5.0 MAX PANEL THICKNESS

Images for illustration purposes only