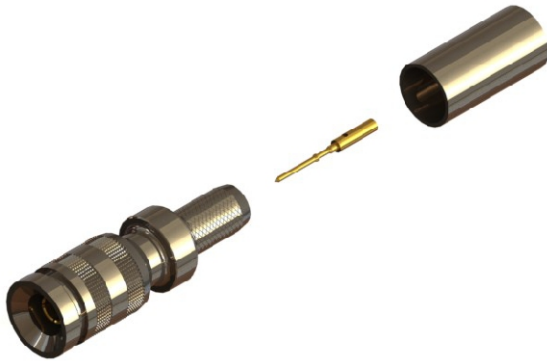
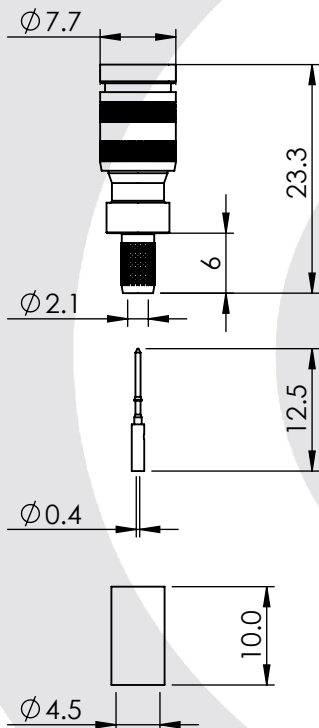


1.0/2.3 STRIAGHT CRIMP/CRIMP PLUG 52-005-B6-BD



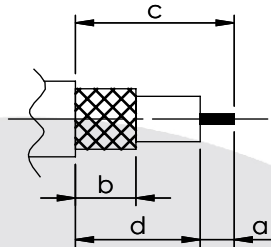
images for illustration purposes only



Suitable for Cables:

(BD) BT3002, TZC75024, TZC75025

Stripping Dimensions



a = 3.5 mm
* b = 6.0 mm
c = 13.0 mm
d = 9.5 mm

* STRIP FOIL
SCREEN TO
DIM "b"

Assembly Procedure:

Tooling

Centre Contact: Indent or Square Crimp Tool No: DMC AFM8 (Indent) or HTS-43 (Sq)

Crimp Sleeve: Hex 4.52mm A/F Tool No: HTS-43

Alignment Tool: 100-1023 Extraction: 96-1023

Environmental Specification

Operating Temp: -55 to +155 Deg C.

IP Rating (Mated): IP 40

Electrical Specification Mechanical Specification

Impedance: 75 Ohm

Frequency: 0-3 GHz

Dielectric W/V: 750 Veff

Insulation res: 5000 M-Ohm

Contact Retention: 10 N min

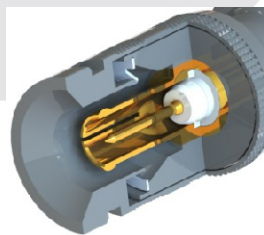
Cable Retention: 150 N min

Mating cycles: 500

Weight: 4.55 g

Connector Interface

image for illustration purposes only



| 8 | REAR BODY | BRASS | NICKEL |
|------|----------------|------------------|---------|
| 7 | OUTER CONTACT | BERYLLIUM COPPER | GOLD |
| 6 | CENTRE CONTACT | PHOSPHOR BRONZE | GOLD |
| 5 | SPRING | STAINLESS STEEL | NICKEL |
| 4 | CRIMP SLEEVE | BRASS | NICKEL |
| 3 | BODY | BRASS | NICKEL |
| 2 | INSULATOR | PTFE | N/A |
| 1 | COUPLING NUT | BRASS | NICKEL |
| ITEM | DESCRIPTION | MATERIAL | PLATING |

| | | | | |
|---|--------------|-------------------------------|-----------|------------|
| A4 | SHEET 1 OF 1 | DIMENSIONS ARE IN MILLIMETRES | | |
| REVISION : | C00 | NAME | SIGNATURE | DATE |
| ISSUE : | 3 | DRAWN | GE | 18/07/2011 |
| | | CHK'D | IG | 19/07/2011 |
| | | APP'V'D | | |
| 6-8 COLNE ROAD, TWICKENHAM, MIDDLESEX. TW1 4JR | | | | |
| THE INFORMATION IS GIVEN AS AN INDICATION ONLY AND IS SUBJECT TO CHANGE WITHOUT NOTICE. IN THE CONTINUAL GOAL TO IMPROVE OUR PRODUCTS, WE RESERVE THE RIGHT TO MAKE ANY MODIFICATIONS NECESSARY WITHOUT PRIOR NOTICE. | | | | |