

© 2008. THIS DOCUMENT IS THE PROPERTY OF COAX CONNECTORS LTD. REPRODUCTION OR COMMUNICATION IN ANY FORM TO A THIRD PARTY IS PROHIBITED WITHOUT PRIOR WRITTEN CONSENT

WEBSITE VIDEO No.

**Electrical Specification**

Impedance: 50 Ohm  
 Frequency: TBC  
 Dielectric W/V: 1500 Veff  
 Insulation res: 5000 M-Ohm

**Mechanical Specification**

Centre contact retention  
 Axial Force: TBC  
 Cable Retention: N/A  
 Mating cycles: 100

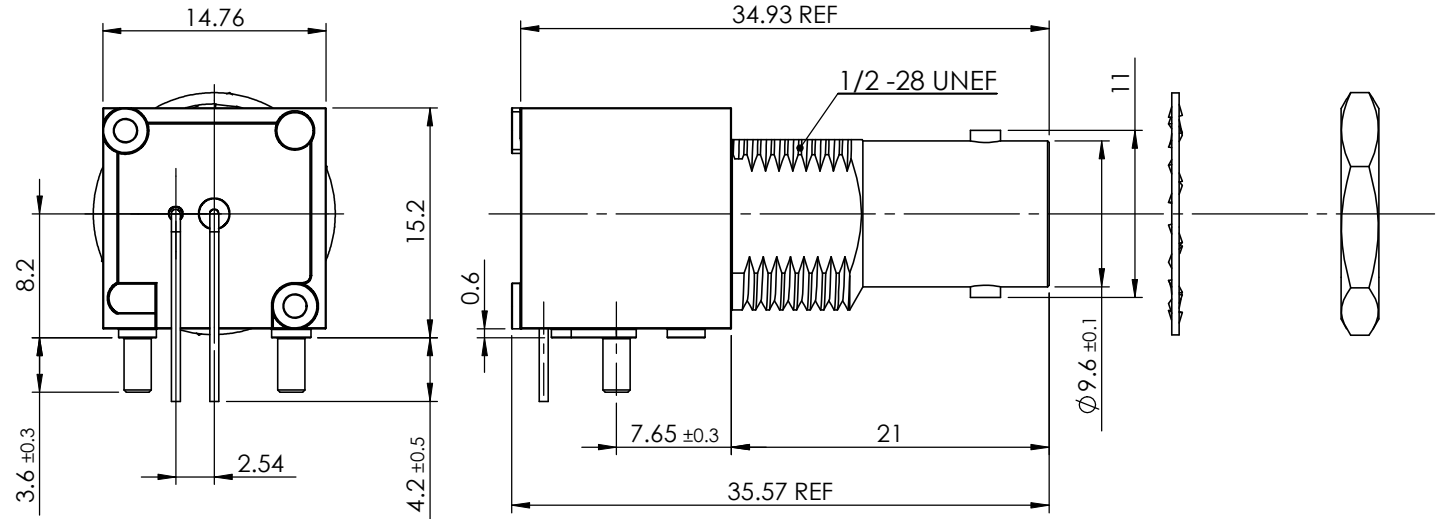
**Environmental Specification**

Operating Temp: TBC

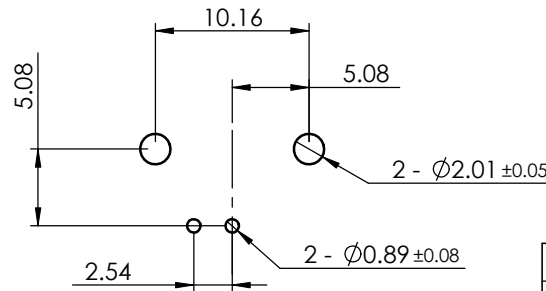
**Tooling**

Centre Contact: SOLDER  
 COAX Tool No:  
 Crimp Sleeve: N/A  
 COAX Tool No:

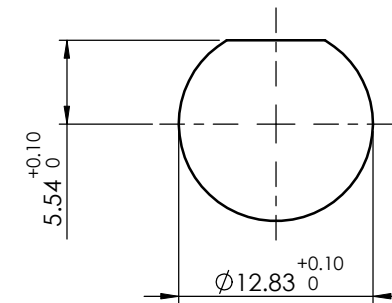
DO NOT SCALE DRAWING



**PCB MOUNTING DIMENSIONS**



**RECOMMENDED MOUNTING HOLE**  
 MAX PANEL THICKNESS 5.5mm



**COAX CONNECTORS LTD**  
 6-8 COLNE ROAD, TWICKENHAM,  
 MIDDLESEX. TW1 4JR

**REVISION**  
 A00

DIMENSIONS ARE IN MILLIMETERS			
A4	NAME	SIGNATURE	DATE
DRAWN	GE		29/01/2010
CHK'D	DC		29/01/2010
APPV'D			

**Description** PCB MOUNT BNC RIGHT ANGLE B/H JACK

**Part Number** 10-468-A5

THE INFORMATION IS GIVEN AS AN INDICATION ONLY AND IS SUBJECT TO CHANGE WITHOUT NOTICE. IN THE CONTINUAL GOAL TO IMPROVE OUR PRODUCTS, WE RESERVE THE RIGHT TO MAKE ANY MODIFICATIONS NECESSARY WITHOUT PRIOR NOTICE.

8	SOLDER LEG	BRASS WIRE	TIN
7	HOUSING	ZINC	NICKEL
6	CENTRE CONTACT	PHOSPHOR BRONZE	GOLD
5	INSULATOR	PE 606	N/A
4	WASHER	STEEL	NICKEL
3	NUT	BRASS	NICKEL
2	BODY	ZINC	NICKEL
1	MOUNTING LEGS	BRASS	TIN
ITEM	DESCRIPTION	MATERIAL	PLATING