

WEBSITE VIDEO No.

**Electrical Specification**

Impedance: 50 Ohm  
 Frequency: TBC  
 Dielectric W/V: TBC  
 Insulation res: TBC

**Mechanical Specification**

Centre contact retention  
 Axial Force: 10N min  
 Cable Retention: N/A  
 Mating cycles: 500

**Environmental Specification**

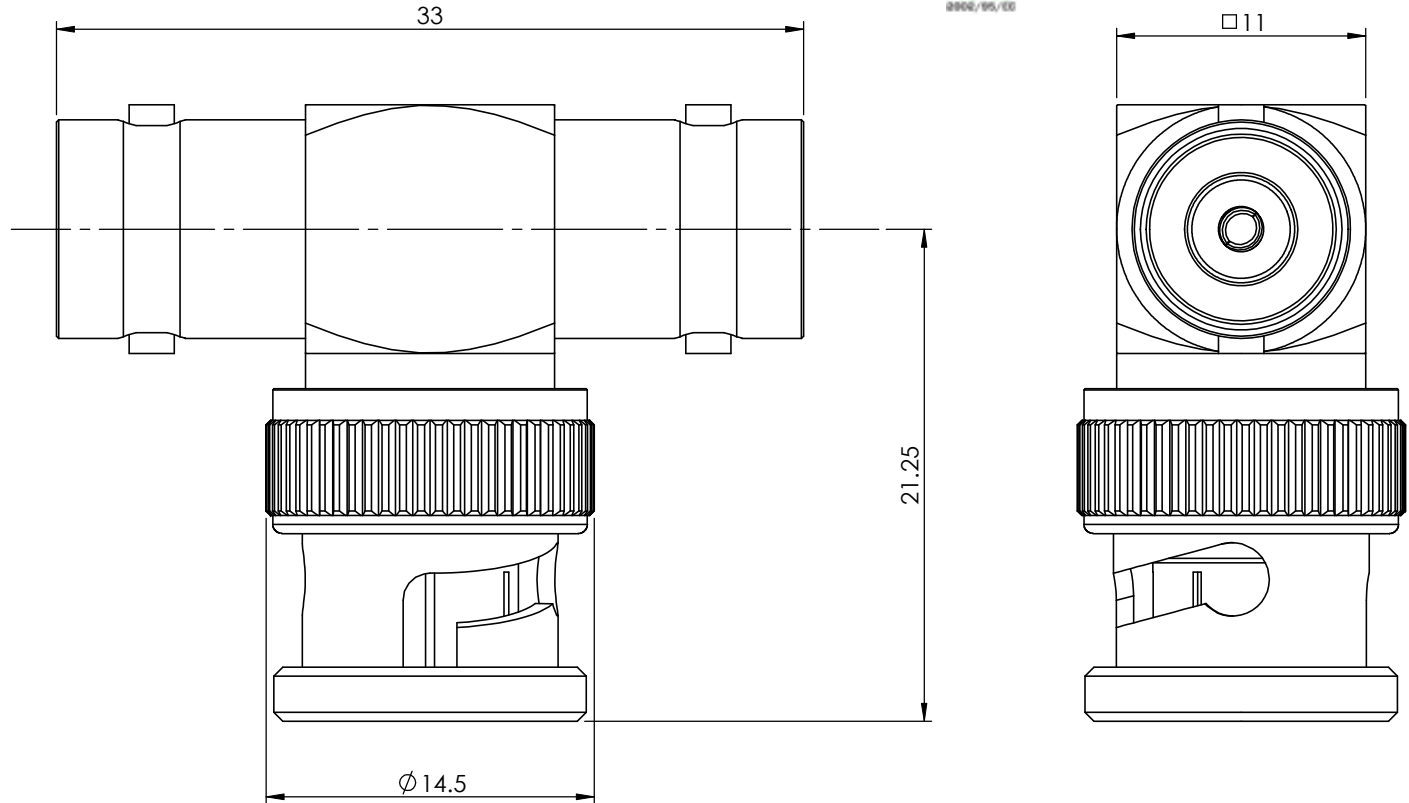
Operating Temp: TBC

**Tooling**

Centre Contact: N/A  
 COAX Tool No:  
 Crimp Sleeve: N/A  
 COAX Tool No:



DO NOT SCALE DRAWING



13	FEMALE CENTRE CONTACT	BRASS	GOLD
12	JACK INSULATOR	DELTRIN	N/A
11	RETAINING RING	BRASS	NICKEL
10	JACK BODY	BRASS	NICKEL
9	PLUG REAR INSULATOR	DELTRIN	N/A
8	MALE CONTACT	BRASS	GOLD
7	WASHER	Fe	NICKEL
6	SPRING	SK5	NICKEL
5	RETAINING RING	SK5	NICKEL
4	GASKET	RUBBER	N/A
3	PLUG INSULATOR	DELTRIN	N/A
2	PLUG BODY	BRASS	NICKEL
1	COUPLING NUT	ZINC	NICKEL
<b>ITEM</b>	<b>DESCRIPTION</b>	<b>MATERIAL</b>	<b>PLATING</b>

<b>COAX CONNECTORS LTD</b> 6-8 COLNE ROAD, TWICKENHAM, MIDDLESEX. TW1 4JR	REVISION : DA00	<b>A4</b>	DIMENSIONS ARE IN MILLIMETERS		
	ISSUE : 1		NAME	SIGNATURE	DATE
<b>Description</b> BNC "T" ADAPTOR (TURNED) JACK/PLUG/JACK	DRAWN	GE		31/03/2010	
	CHK'D	IG		31/03/2010	
	APPV'D				
<b>Part Number</b>	10-523-A3	THE INFORMATION IS GIVEN AS AN INDICATION ONLY AND IS SUBJECT TO CHANGE WITHOUT NOTICE. IN THE CONTINUAL GOAL TO IMPROVE OUR PRODUCTS, WE RESERVE THE RIGHT TO MAKE ANY MODIFICATIONS NECESSARY WITHOUT PRIOR NOTICE.			

