

WEBSITE VIDEO No.

DO NOT SCALE DRAWING



Electrical Specification

Impedance: 50 Ohm
 Frequency: TBC
 Dielectric W/V: TBC
 Insulation res: TBC

Mechanical Specification

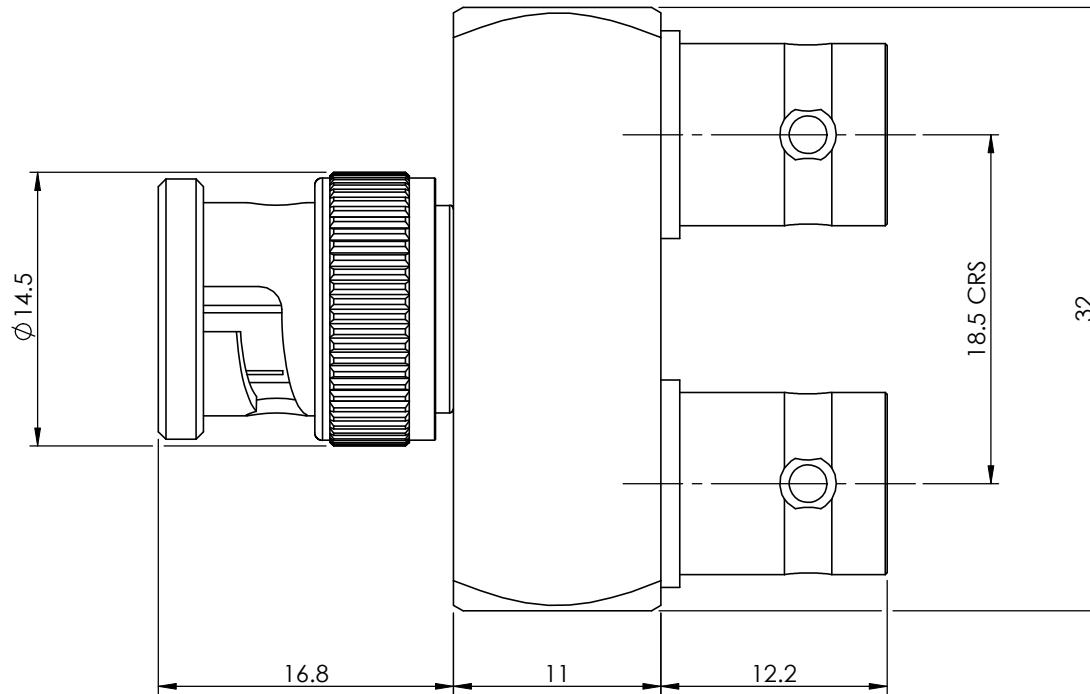
Centre contact retention
 Axial Force: 10N min
 Cable Retention: N/A
 Mating cycles: 500

Environmental Specification

Operating Temp: TBC

Tooling

Centre Contact: N/A
 COAX Tool No:
 Crimp Sleeve: N/A
 COAX Tool No:



17				12	FEMALE INSULATOR	DELRIN	N/A
16	MALE REAR INSULATOR	DELRIN	N/A	11	ADAPTOR CONTACT	BRASS	GOLD
15	ADAPTOR INSULATOR	PTFE	N/A	10	END CAP	BRASS	NICKEL
14	FEMALE CONTACT	BRASS	GOLD	9	ADAPTOR BODY	BRASS	NICKEL
13	FEMALE BODY	BRASS	NICKEL	8	WASHER	Fe	NICKEL
				7	SPRING	SK5	NICKEL
				6	RETAINING RING	SK5	NICKEL
				5	GASKET	SILICONE RUBBER	N/A
				4	MALE OUTER CONTACT	BRASS	NICKEL
				3	MALE INSULATOR	DELRIN	N/A
				2	MALE CENTRE CONTACT	BRASS	GOLD
				1	COUPLING NUT	ZINC	NICKEL



COAX CONNECTORS LTD
 6-8 COLNE ROAD, TWICKENHAM,
 MIDDLESEX. TW1 4JR

REVISION : DA00
ISSUE : 1

Description BNC GOALPOST Y ADAPTOR
 M-F-F

Part Number 10-526-A3

DIMENSIONS ARE IN MILLIMETERS			
	NAME	SIGNATURE	DATE
DRAWN	GE		31/3/10
CHK'D	IG		31/3/10
APPV'D			

THE INFORMATION IS GIVEN AS AN INDICATION ONLY AND IS SUBJECT TO CHANGE WITHOUT NOTICE. IN THE CONTINUAL GOAL TO IMPROVE OUR PRODUCTS, WE RESERVE THE RIGHT TO MAKE ANY MODIFICATIONS NECESSARY WITHOUT PRIOR NOTICE.

ITEM	DESCRIPTION	MATERIAL	PLATING
6	RETAINING RING	SK5	NICKEL
5	GASKET	SILICONE RUBBER	N/A
4	MALE OUTER CONTACT	BRASS	NICKEL
3	MALE INSULATOR	DELRIN	N/A
2	MALE CENTRE CONTACT	BRASS	GOLD
1	COUPLING NUT	ZINC	NICKEL