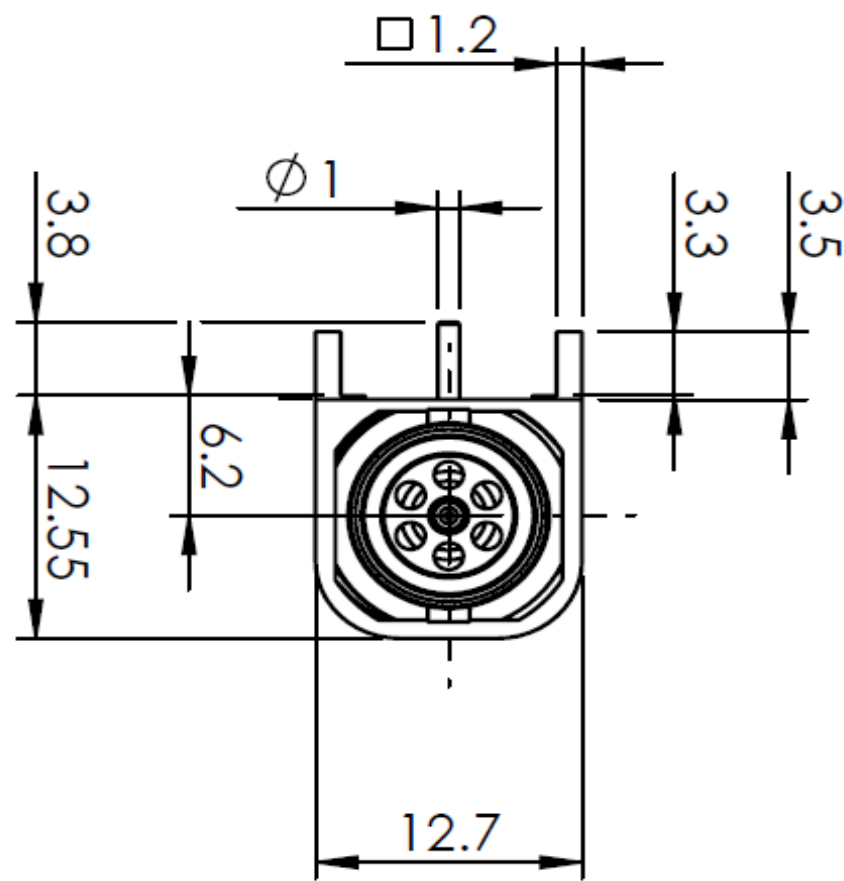
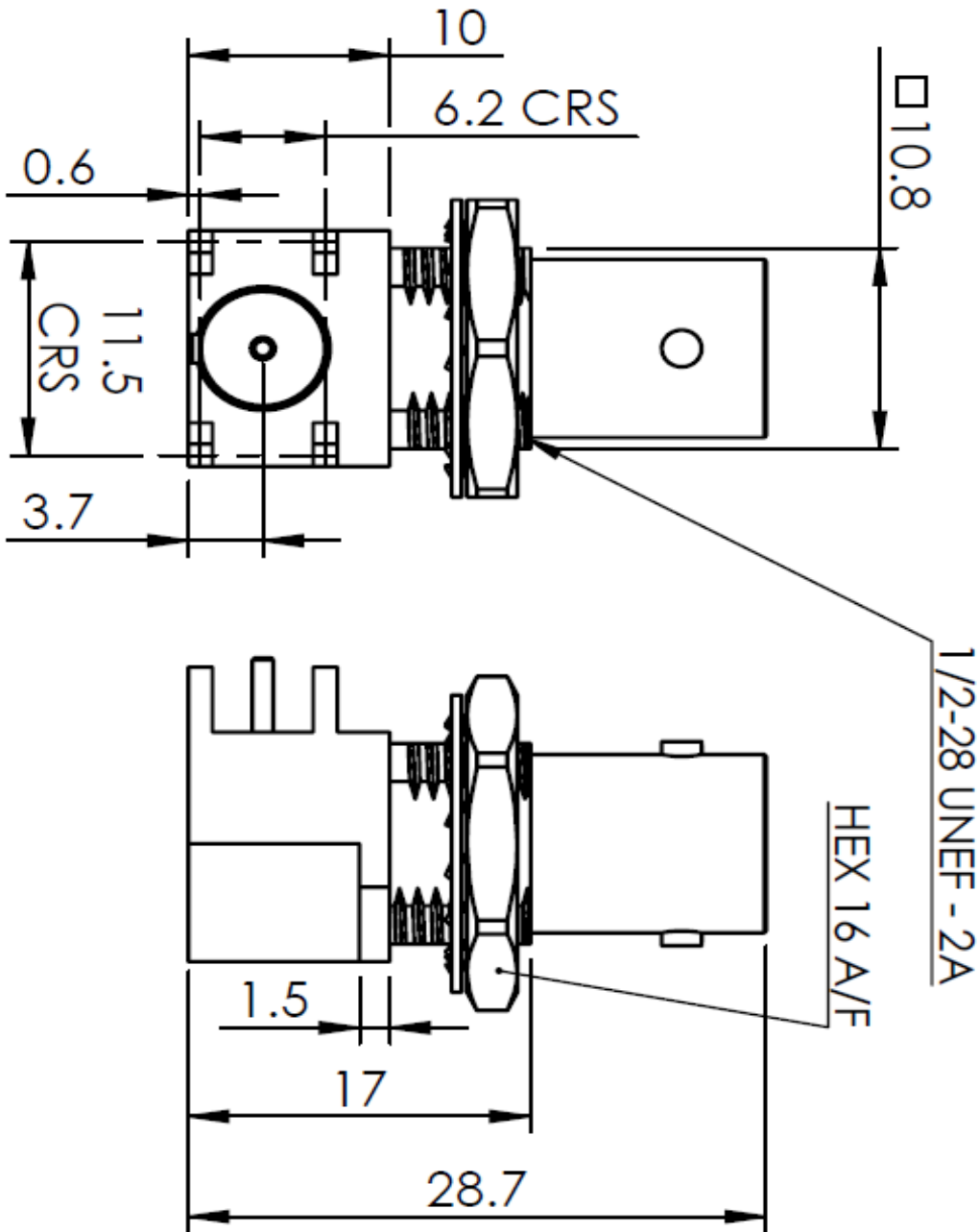


Images for illustration purposes only



Part Number: 10-416-D66

COAX
CONNECTORS LTD