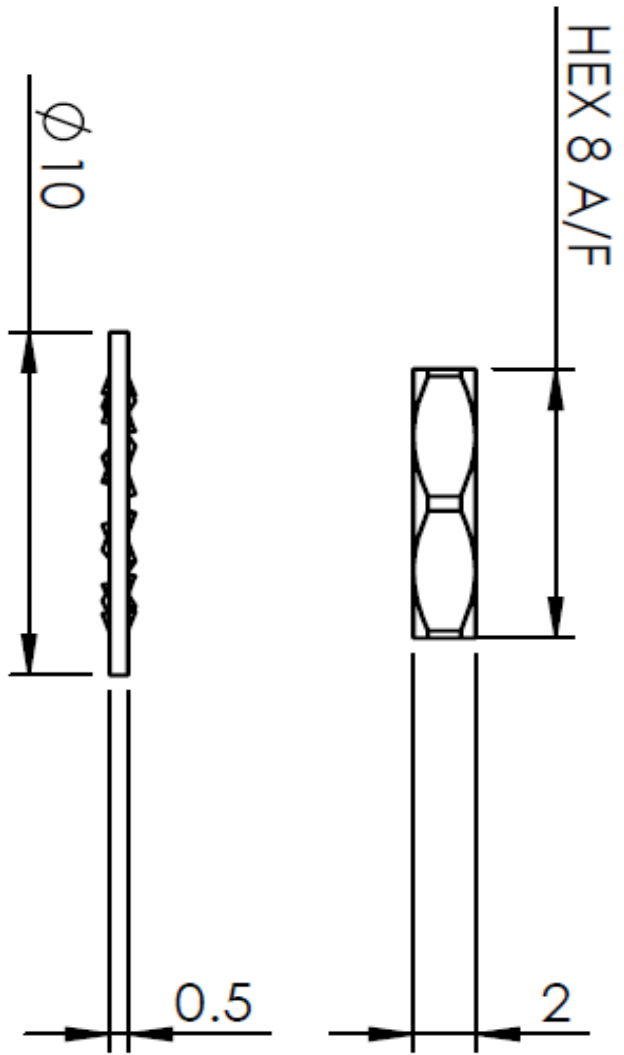
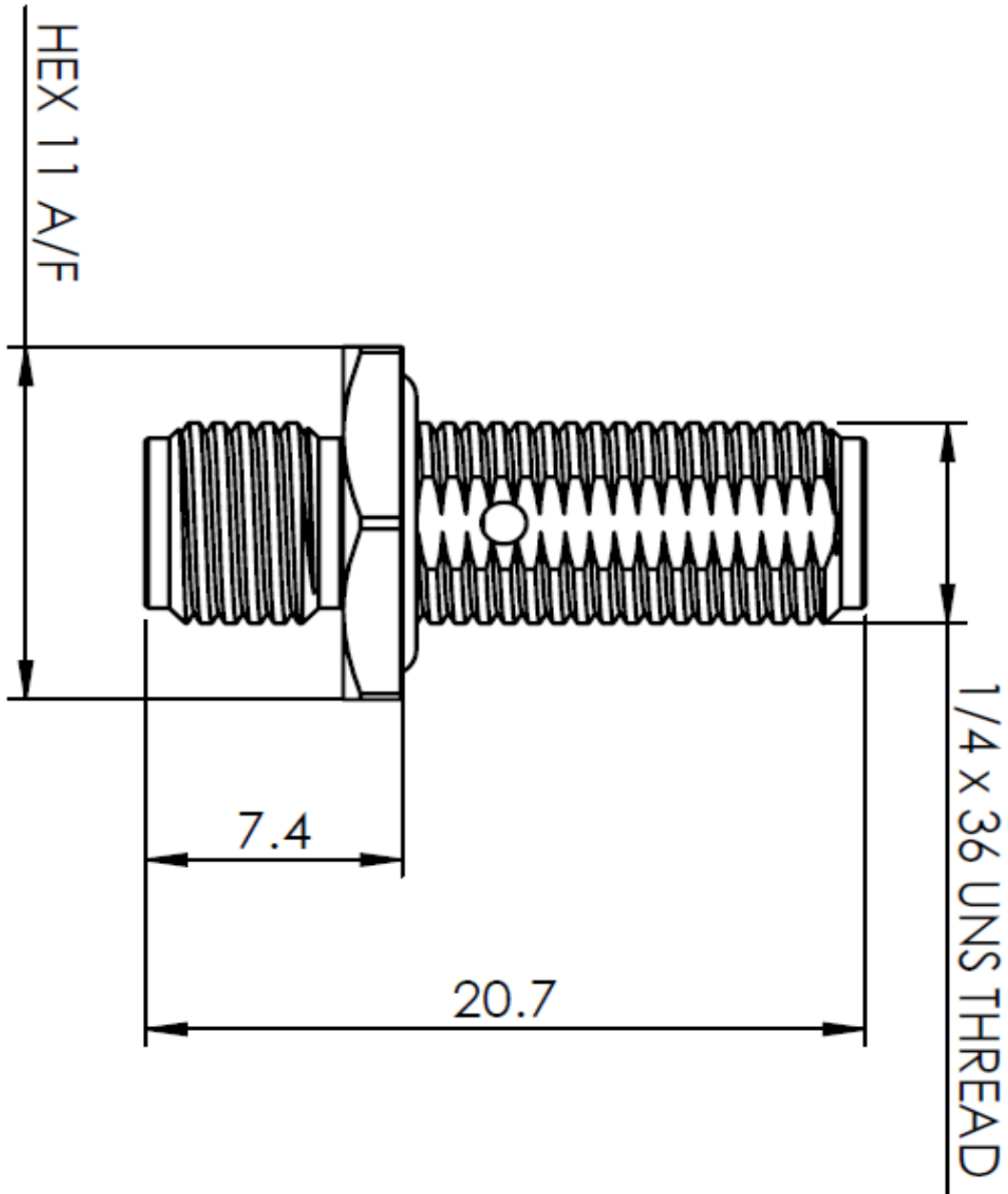


Images for illustration purposes only



Part Number: 30-501-D10

