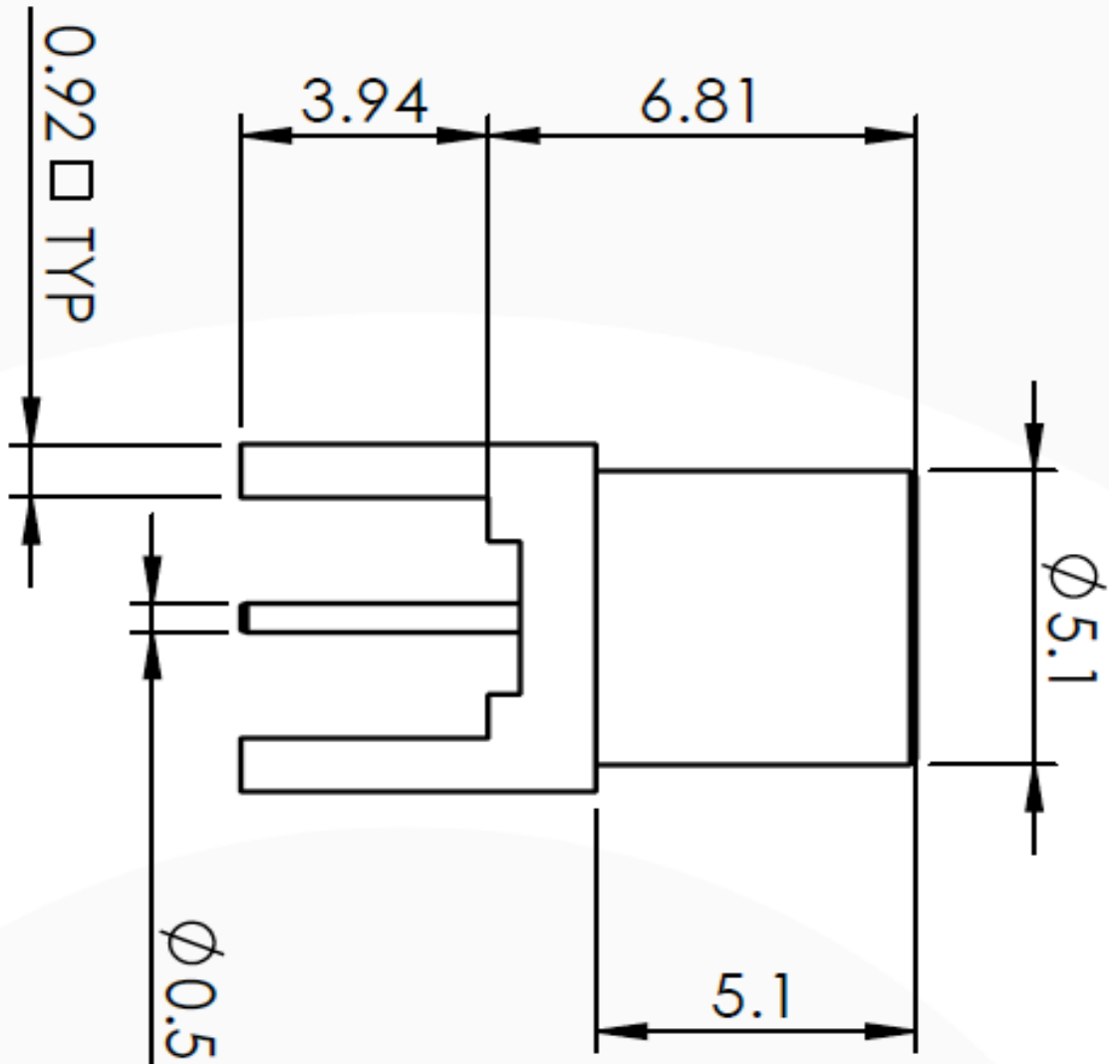
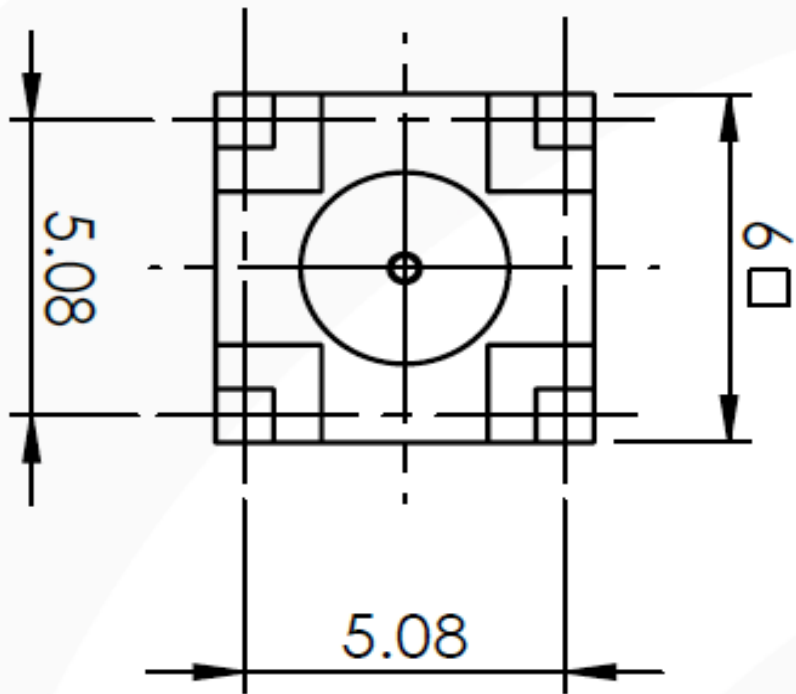
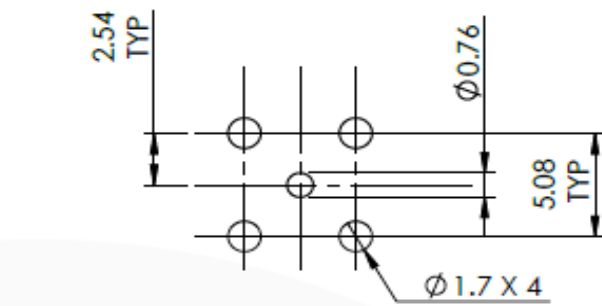
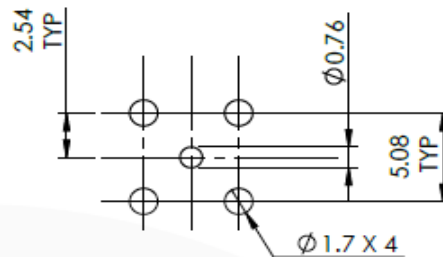


Recommended PCB Layout:



Recommended PCB Layout:



images for illustration purposes only

Part Number: 45-450-D6

COAX
CONNECTORS LTD